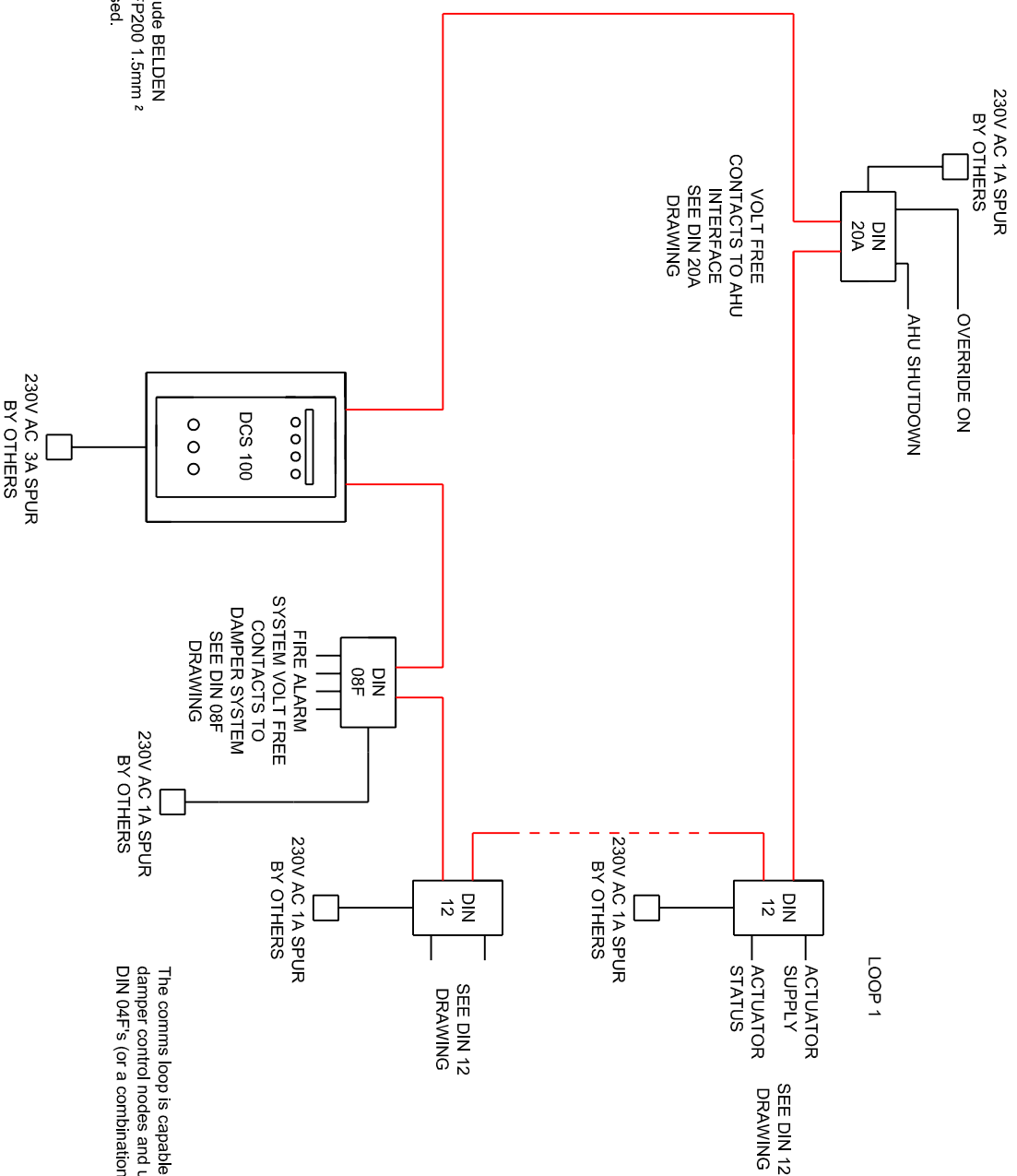


# DCS 100 TYPICAL WIRING DIAGRAM



Approved comms loop cables include BELDEN 9841 or similar and FireTuf data FP200 1.5mm<sup>2</sup> is probably the most commonly used.

MAX LOOP LENGTH 3km

The comms loop is capable of having 100 DIN 12 damper control nodes and up to 50 DIN 20a or DIN 04F's (or a combination of the two) connected.