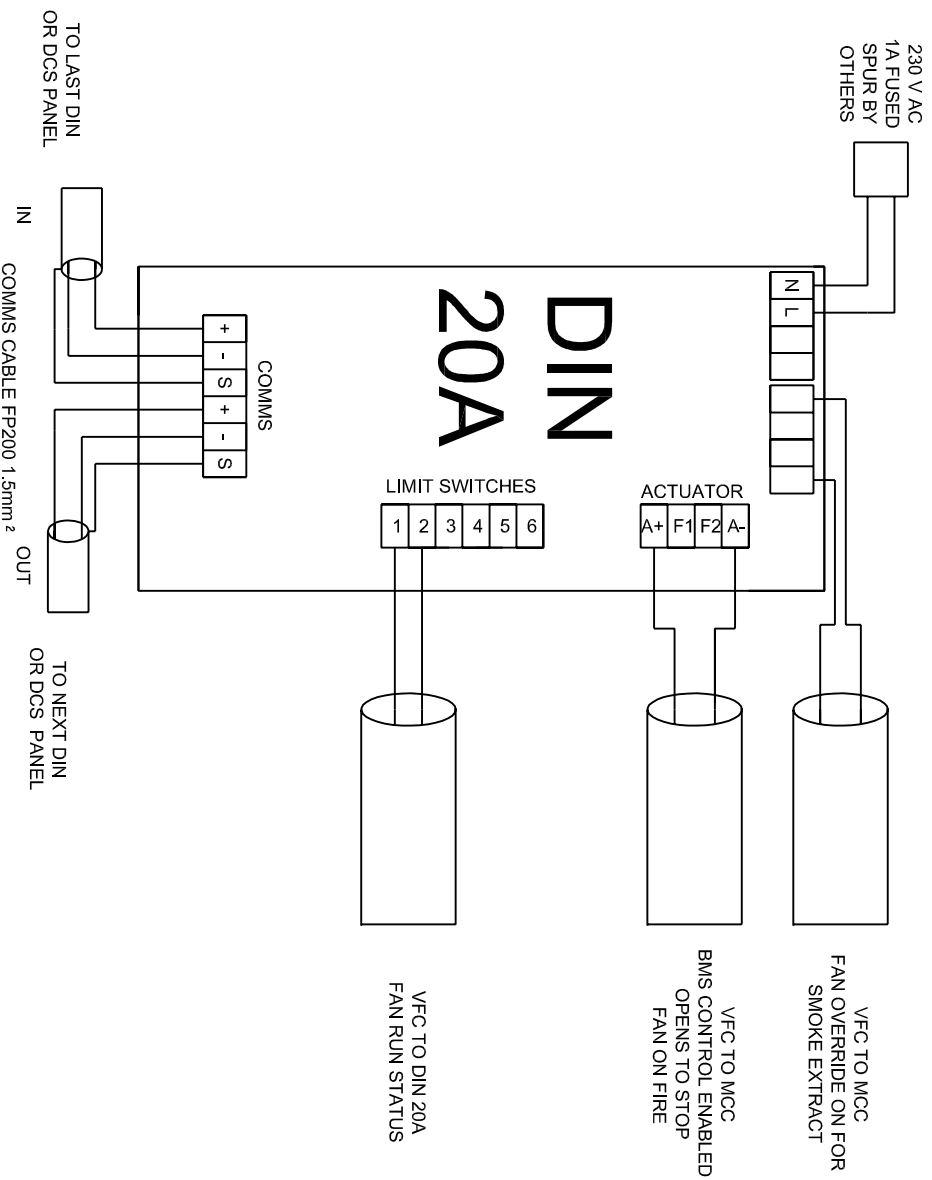


DIN 20A 230V AC AHU INTERFACE CONNECTION DETAIL



ALL CABLES
FP200 1.5mm²