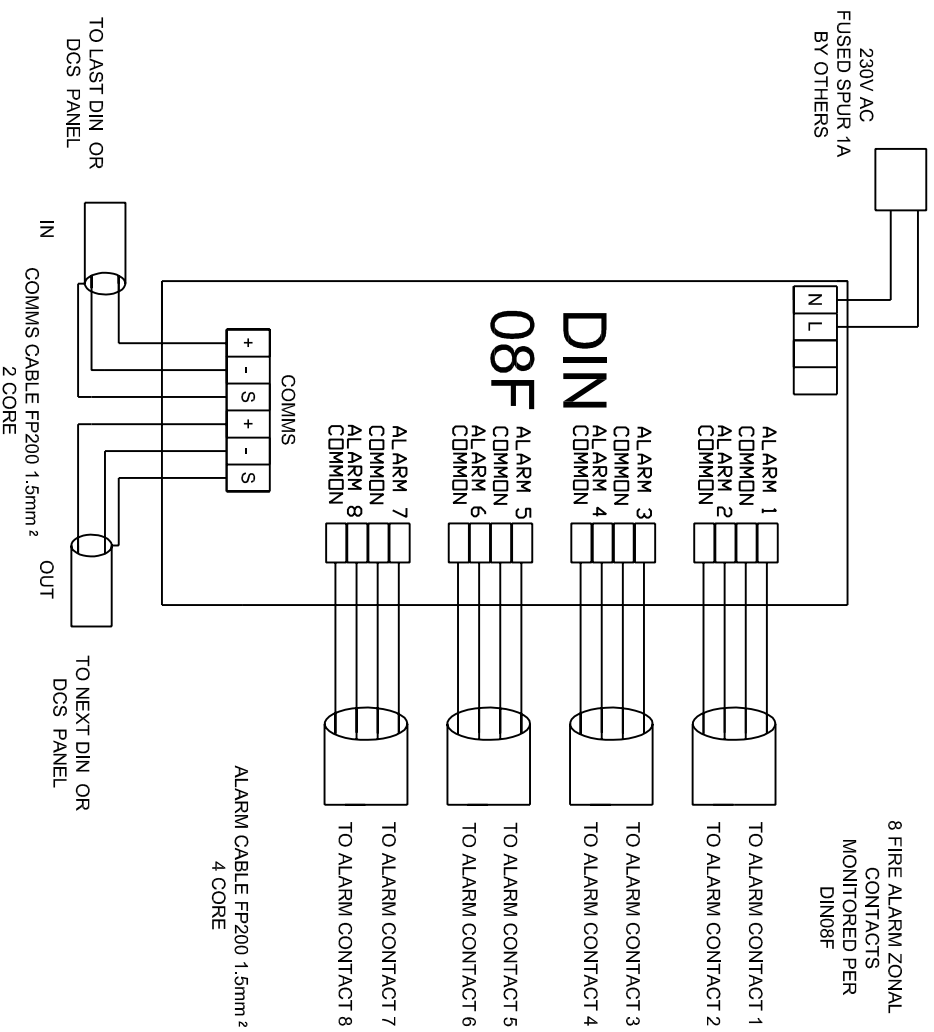


# DIN 08F TO FIRE ALARM SYSTEM CONNECTIONS



FIRE ALARM VOLT FREE  
CONTACTS RATED FOR 5V  
DC @ 10mA.

NORMALLY CLOSED  
CONTACTS - OPEN ON  
ALARM