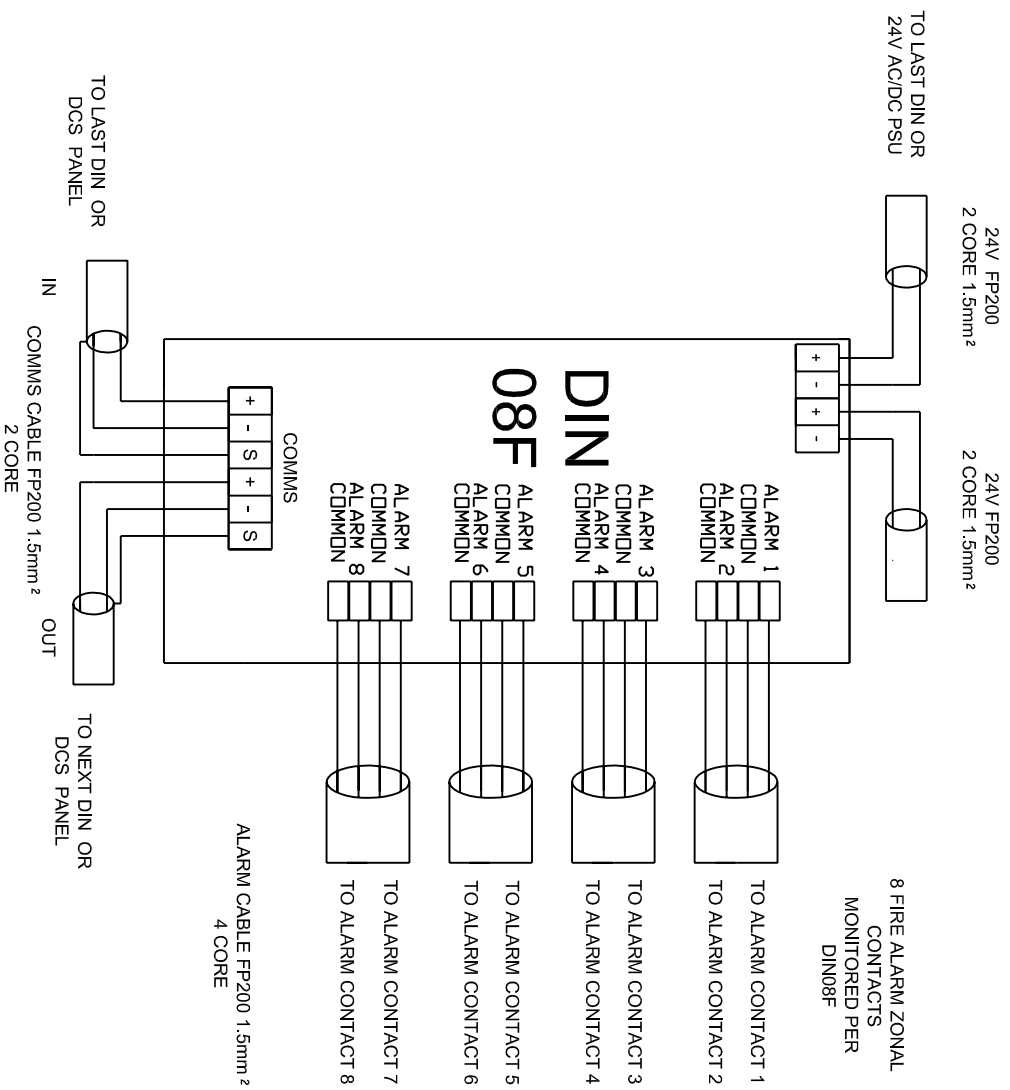


DIN 08F 24V TO FIRE ALARM SYSTEM CONNECTIONS



FIRE ALARM VOLT FREE
CONTACTS RATED FOR 5V
DC @ 10mA.

NORMALLY CLOSED
CONTACTS - OPEN ON
ALARM