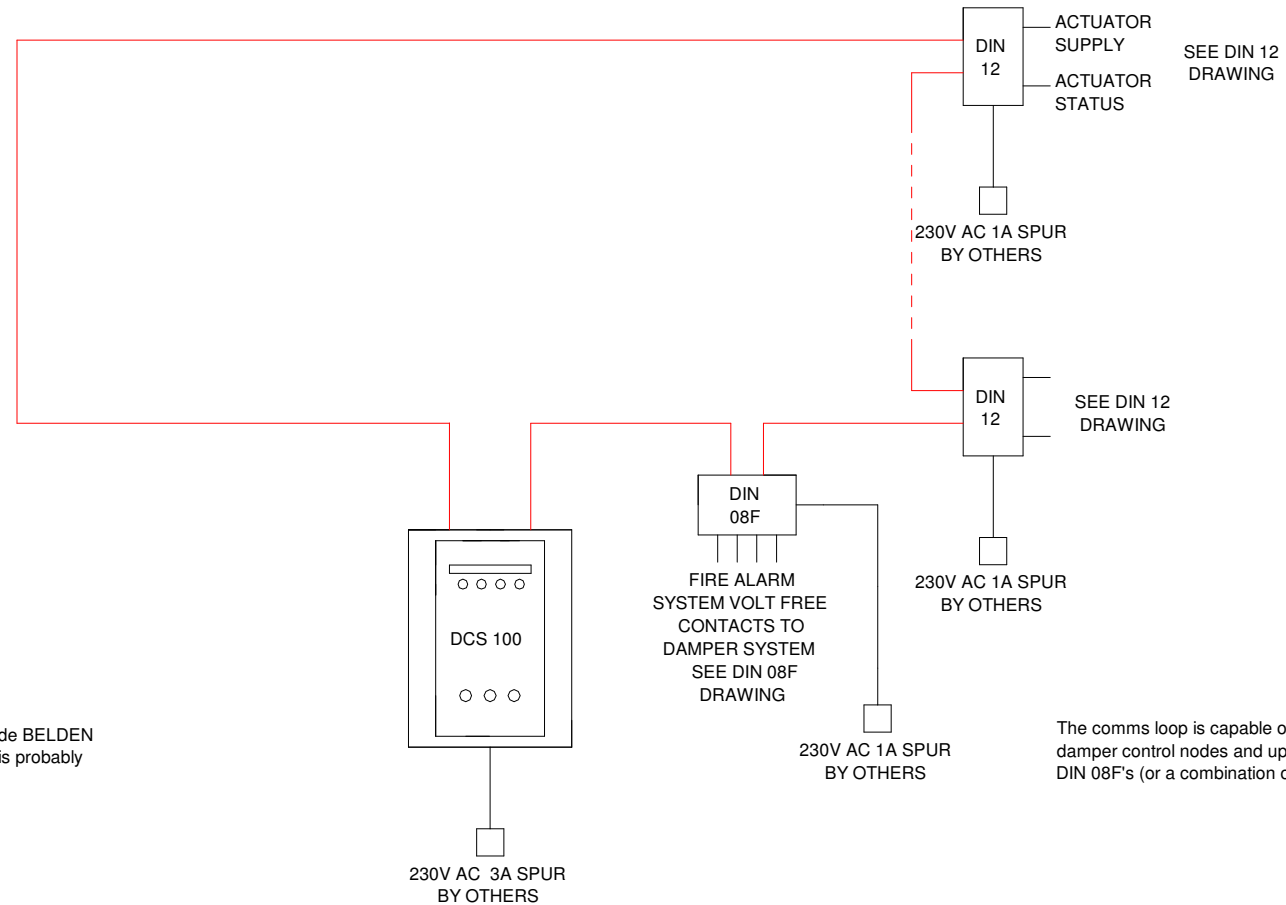


# DCS 100 TYPICAL WIRING DIAGRAM

LOOP 1



Approved comms loop cables include BELDEN 9841 or FP200 (GOLD) 1.5mm<sup>2</sup> is probably the most commonly used.

MAX LOOP LENGTH 3km

The comms loop is capable of having 100 DIN 12 damper control nodes and up to 50 DIN 20a or DIN 08F's (or a combination of the two) connected.